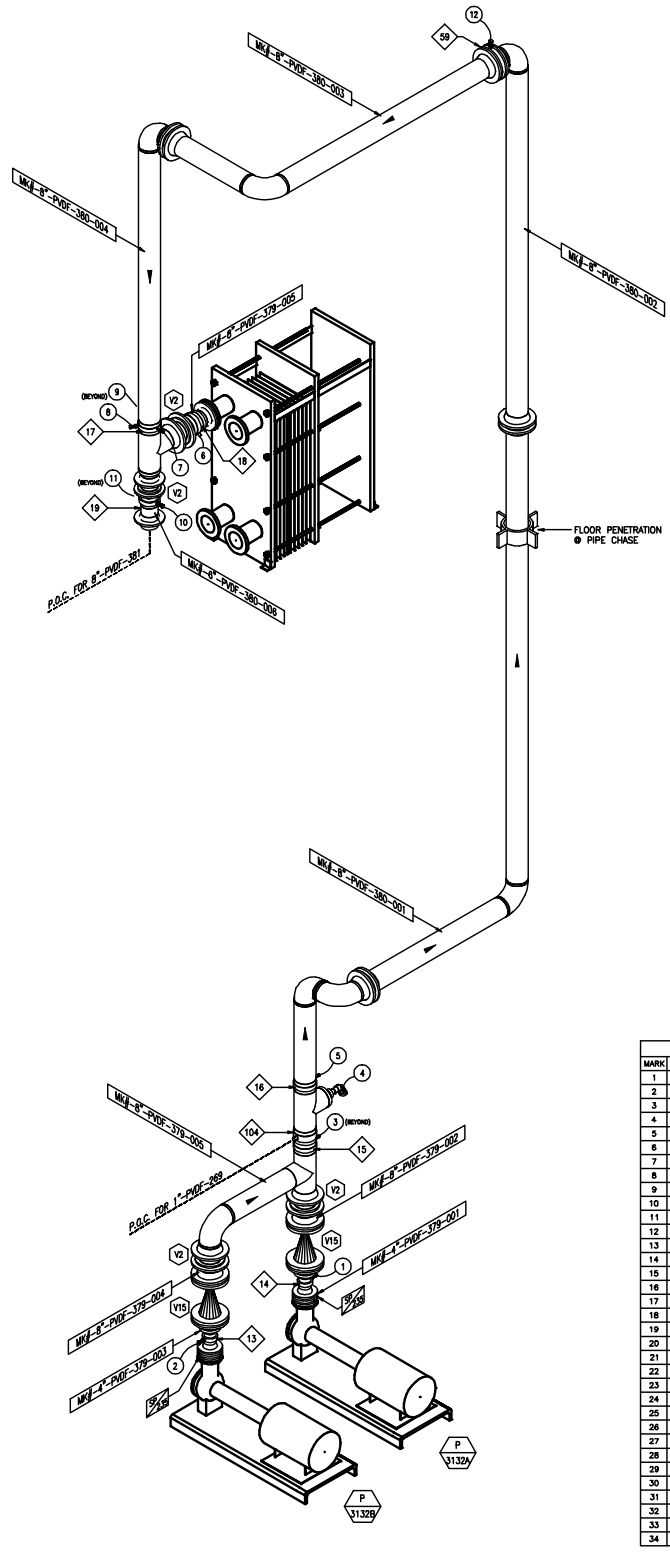


- 1 1/2" V-61 TO PSL-35208
- 2 1/2" V-61 TO PSL-3520A
- 3 1/2" V-61 TO PT-3519-2
- 4 1/2" V-61 TO PT-3519-1
- 5 1/4" V-61 TO SP
- 6 1/2" V-61 TO PH-3518
- 7 1/2" V-61 TO VENT
- 8 1/2" V-61 TO DRAIN
- 9 1/2" V-61 TO AE-3103
- 10 1/2" V-61 TO PH-3506
- 11 1/4" V-61 TO SP
- 12 1/2" V-61 TO HIGH POINT DRAIN

BILL OF MATERIAL				
MARK	QTY	SIZE	DESCRIPTION	LENGTH
1	1	4"	PIPE, PVDF (ASAH)	3'-10 3/8"
2	1	6"	PIPE, PVDF (ASAH)	15'-1 3/4"
3	1	8"	PIPE, PVDF (ASAH)	75'-7 1/2"
4	2	8"	FLG. BLIND 150LB PVDF (ASAH)	
5	4	4"	BACKING FLG. THERMO PLASTIC COATED STEEL	
6	8	8"	BACKING FLG. THERMO PLASTIC COATED STEEL	
7	12	8"	BACKING FLG. THERMO PLASTIC COATED STEEL	
8	4	4"	GASKET, PTFE TEFLON (KC MULTIRING)	1/16"
9	8	8"	GASKET, PTFE TEFLON (KC MULTIRING)	1/16"
10	13	8"	GASKET, PTFE TEFLON (KC MULTIRING)	1/16"
11	10	1/2"	NIPPLE, PVDF TBE (-)	1 1/8"
12	2	1/4"	NIPPLE, PVDF TBE (-)	1 1/8"
13	4	4"	B-FLY VALVE, PFA TEFLON, 150LB LUG (AMR) V-2	
14	2	6"	B-FLY VALVE, PFA TEFLON, 150LB LUG (AMR) V-2	
15	4	8"	B-FLY VALVE, PFA TEFLON, 150LB LUG (AMR) V-2	
16	10	1/2"	NEEDLE VALVE, GLOBE, BF PVDF, (+GF+) V-61	
17	2	1/4"	NEEDLE VALVE, GLOBE, BF PVDF, (+GF+) V-61	
18	1	6"	EXPANSION JOINT, TEFLON (PROCO) SP-234	8 15/16"
19	2	4"	ELL, 90 BF PVDF (ASAH)	4 15/16"
20	1	6"	ELL, 90 BF PVDF (ASAH)	7 1/8"
21	8	8"	ELL, 90 BF PVDF (ASAH)	8 17/32"
22	1	6"	TEE, PVDF (ASAH)	
23	5	8"	TEE, PVDF (ASAH)	
24	4	4"	STUB END, PVDF BF (ASAH)	3 5/32"
25	8	6"	STUB END, PVDF BF (ASAH)	3 5/32"
26	12	8"	STUB END, PVDF BF (ASAH)	3 15/16"
27	2	8x4"	REDUCER, CONCENTRIC BF PVDF (ONICS)	3"
28	2	8x4"	REDUCER, CONCENTRIC BF PVDF (ONICS)	3"
29	3	8x6"	REDUCER, CONCENTRIC BF PVDF (ONICS)	3"
30	2	8x8"	REDUCER, CONCENTRIC BF PVDF (ASAH)	
31	1	8"	SPACER, FLANGE w/1/2 INCH TAP BF PVDF (ONICS)	1 1/2"
32	3	6"	INSTRUMENTATION FITTING BF PVDF (ONICS)	4 9/16"
33	3	8"	INSTRUMENTATION FITTING BF PVDF (ONICS)	4 9/16"

1 LINE No's 8"-PVDF-368, 8"-PVDF-378, and 8"-PVDF-365 ISOMETRIC
SOLID KLS



- 1 1/2" V-61 TO PH-3521A
- 2 1/2" V-61 TO PH-3521B
- 3 1/4" V-61 TO MSP
- 4 1 1/2"x2 1/2" PSV-3522
- 5 1/4" V-61 TO SP
- 6 1/2" V-24 TO DRAIN
- 7 1/4" V-61 TO SP
- 8 1/2" V-61 TO PH-3523
- 9 3/4" TO TI-3702/TN-3702
- 10 1/2" V-61 TO DRAIN
- 11 1/2" V-61 TO VENT
- 12 1/2" V-61 TO HIGH POINT DRAIN

BILL OF MATERIAL				
MARK	QTY	SIZE	DESCRIPTION	LENGTH
1	1	8"	PIPE, PVDF (ASAH)	3 3/4"
2	1	8"	PIPE, PVDF (ASAH)	80'-10 5/16"
3	2	4"	BACKING FLG. THERMO PLASTIC COATED STEEL	
4	4	4"	BACKING FLG. THERMO PLASTIC COATED STEEL	
5	18	8"	BACKING FLG. THERMO PLASTIC COATED STEEL	
6	4	4"	GASKET, PTFE TEFLON (KC MULTIRING)	1/16"
7	4	4"	GASKET, PTFE TEFLON (KC MULTIRING)	1/16"
8	15	8"	GASKET, PTFE TEFLON (KC MULTIRING)	1/16"
9	7	1/2"	NIPPLE, PVDF TBE (-)	1 1/8"
10	3	1/4"	NIPPLE, PVDF TBE (-)	1 1/8"
11	1	1"	NIPPLE, PVDF TBE (-)	1 1/2"
12	2	6"	B-FLY VALVE, PFA TEFLON, 150LB LUG (AMR) V-2	
13	3	8"	B-FLY VALVE, PFA TEFLON, 150LB LUG (AMR) V-2	
14	2	8"	CHECK VALVE, VERTICAL, 150LB FLG (DOW) V-15	
15	6	1/2"	NEEDLE VALVE, GLOBE, BF PVDF, (+GF+) V-61	
16	3	1/4"	NEEDLE VALVE, GLOBE, BF PVDF, (+GF+) V-61	
17	1	2-1/2x1-1/2"	RELIEF VALVE, 910 SERIES (DUNKLE) PSV-3522	
18	1	4"	EXPANSION JOINT, TEFLON (PROCO) SP-235	8 17/32"
19	7	8"	ELL, 90 BF PVDF (ASAH)	8 17/32"
20	3	8"	TEE, PVDF (ASAH)	
21	2	4"	STUB END, PVDF BF (ASAH)	3 5/32"
22	4	6"	STUB END, PVDF BF (ASAH)	3 5/32"
23	18	8"	STUB END, PVDF BF (ASAH)	3 15/16"
24			- NOT USED -	
25	1	3x1-1/2"	REDUCER, CONCENTRIC BF PVDF (ONICS)	3"
26	1	8x3"	REDUCER, CONCENTRIC BF PVDF (ONICS)	3"
27	2	8x4"	REDUCER, CONCENTRIC BF PVDF (ONICS)	3"
28	2	8x6"	REDUCER, CONCENTRIC BF PVDF (ONICS)	3"
29	1	1-1/2"	THREADED FEMALE ADAPTER (ASAH)	
30	1	8"	SPACER, FLANGE w/1/2 INCH TAP BF PVDF (ONICS)	1 1/2"
31	2	4"	INSTRUMENTATION FITTING BF PVDF (ONICS)	4 9/16"
32	1	6"	INSTRUMENTATION FITTING BF PVDF (ONICS)	4 9/16"
33	4	8"	INSTRUMENTATION FITTING BF PVDF (ONICS)	4 9/16"
34	1	8"	SAMPLE PORT, w/1 IN TAP BF PVDF (ONICS)	5 9/16"

2 LINE No's 8"-PVDF-379 and 8"-PVDF-380 ISOMETRIC
SOLID KLS

ITEM No.	SIZE	STYLE	SPOOL DRAWING	TAP LOCATION/SIZE *		
				A	B	C
1	8"	STUB	8"-PVDF-365-002	1/2"	1/2"	1/4"
2	6"	STUB	6"-PVDF-365-003	1/2"	1/2"	-
3	8"	STUB	8"-PVDF-378-003	1/2"	1/2"	-
4	8"	STUB	8"-PVDF-378-003	1/2"	1/4"	-
5	6"	STUB	6"-PVDF-378-001	1/2"	-	-
6	6"	STUB	6"-PVDF-378-002	1/2"	-	-
7	4"	STUB	4"-PVDF-379-002	1/2"	-	-
8	4"	STUB	4"-PVDF-379-001	1/2"	-	-
9	8"	STUB	8"-PVDF-379-005	1/4"	-	-
10	8"	STUB	8"-PVDF-379-005	1/4"	-	-
11	8"	STUB	8"-PVDF-380-004	3/4"	1/2"	1/4"
12	8"	STUB	8"-PVDF-380-005	1/2"	-	-
13	6"	STUB	6"-PVDF-380-006	1/2"	1/2"	-
14	8"	STUB	8"-PVDF-380-003	1/2"	-	-
15	8"	STUB	8"-PVDF-380-002	1/2"	-	-
16	8"	STUB	8"-PVDF-379-005	1"	-	-

* SEE SPOOL DRAWINGS FOR TAP ORIENTATION

SAMPLE DRAWING
PROCESS PIPING - SYSTEM ISOMETRIC
SYSTEM ISOMETRIC

MDS
Drafting & Design, Inc. Idaho Construction
100 S. Adams Way, Suite 105
Meridian, Idaho 83642
Voice: (208) 888-1631
Fax: (208) 888-7465

NOTE: These drawings are provided as a convenience. It is each contractor's responsibility to verify sizes, dimensions, etc. We assume no liability. MDS Inc.

REVISIONS			
REV	BY	DESCRIPTION	DATE
A	XX	ISSUE FOR REVIEW	09/09/09

GENERAL NOTES

KEY NOTES

DRAWING

PROJECT NUMBER:
MDS JOB No:
PROJECT MGR:
DRAWN BY: DATE:
CHECKED BY: DATE:
CAD FILE: PP-005
SCALE: NONE
DRAWING NUMBER: PP-005
REVISION: A

PROCESS PIPING