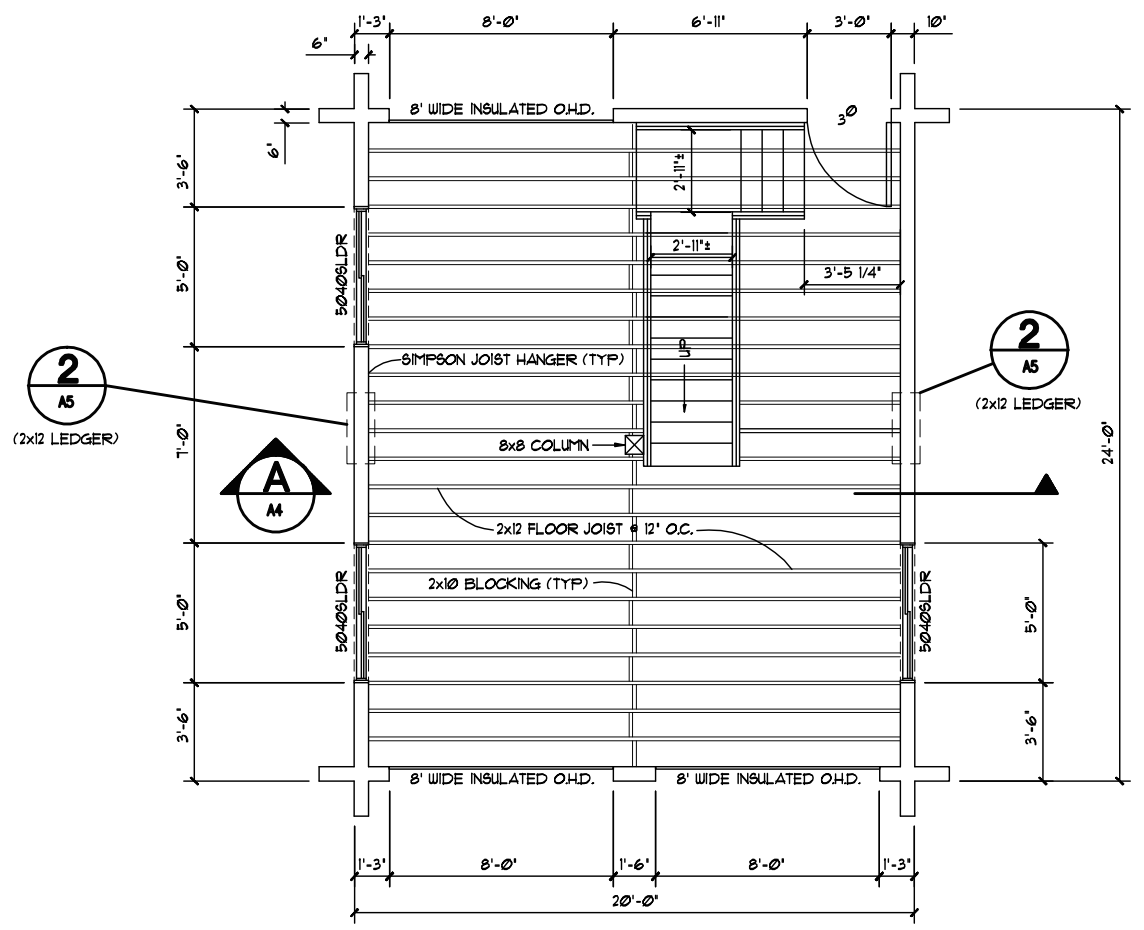
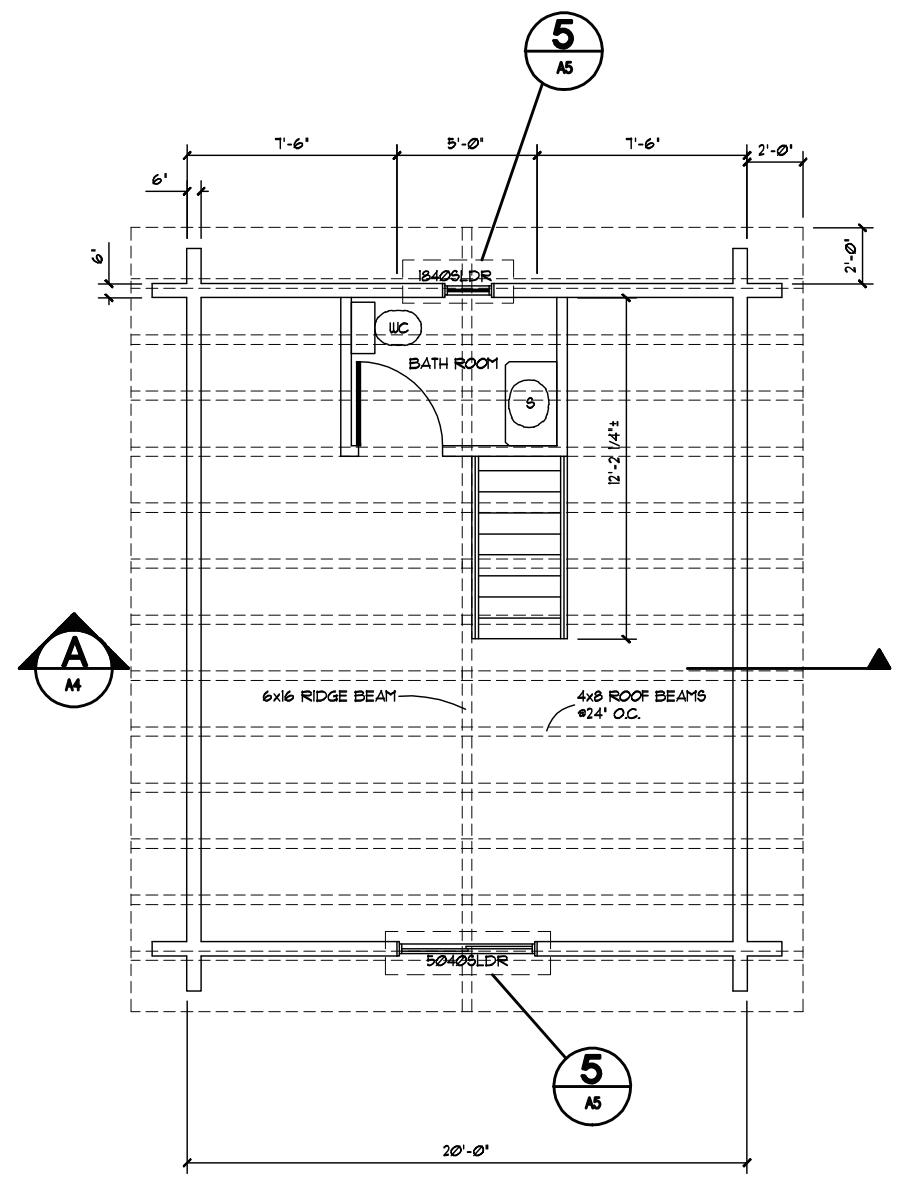


**CONSTRUCTION NOTES**  
 1) CONSTRUCTION MATERIALS SHALL MATCH EXISTING STRUCTURES CONSTRUCTION MATERIALS.  
 2) ALL CONSTRUCTION SHALL ADHERE TO ALL STATE, AND LOCAL CODES.



**FLOOR PLAN LEVEL 1**  
SCALE: 1/4"=1'-0"



**FLOOR PLAN LEVEL 2**  
SCALE: 1/4"=1'-0"



100 S. Adams Way, Suite 105  
 Meridian, Idaho 83642  
 Voice: (208) 888-1631  
 Fax: (208) 888-7465

ARCHITECTURAL

CUSTOMER:	CALKINS PARTNERSHIP		
DRAWN:	MDF	FILE NAME:	A3
SCALE:	1/4"=1'-0"	DATE:	7/30/99
		REVISION NO.:	0