

SAMPLE DRAWING
PROCESS PIPING PLAN
3D TOOL SAMPLE



Drafting & Design for Today's Construction
 100 S. Adkins Way, Suite 105
 Meridian, Idaho 83642
 Voice: (208) 888-1631
 Fax: (208) 888-7465

NOTE: These drawings are provided as a convenience. It is each contractor's responsibility to verify sizes, dimensions, etc. We assume no liability. MDS Inc.

REVISIONS

REV	BY	DESCRIPTION	DATE
A	XX	SAMPLE DRAWING	00/00/00

GENERAL NOTES

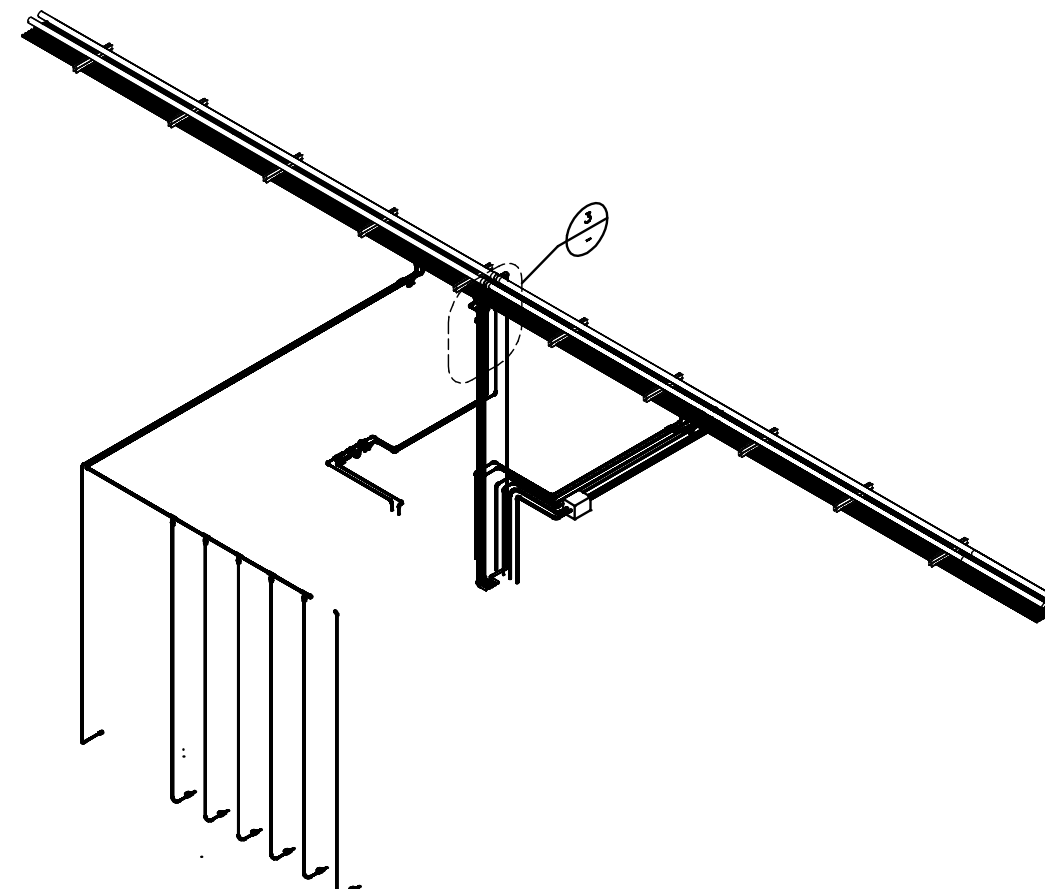
KEY NOTES

DRAWING

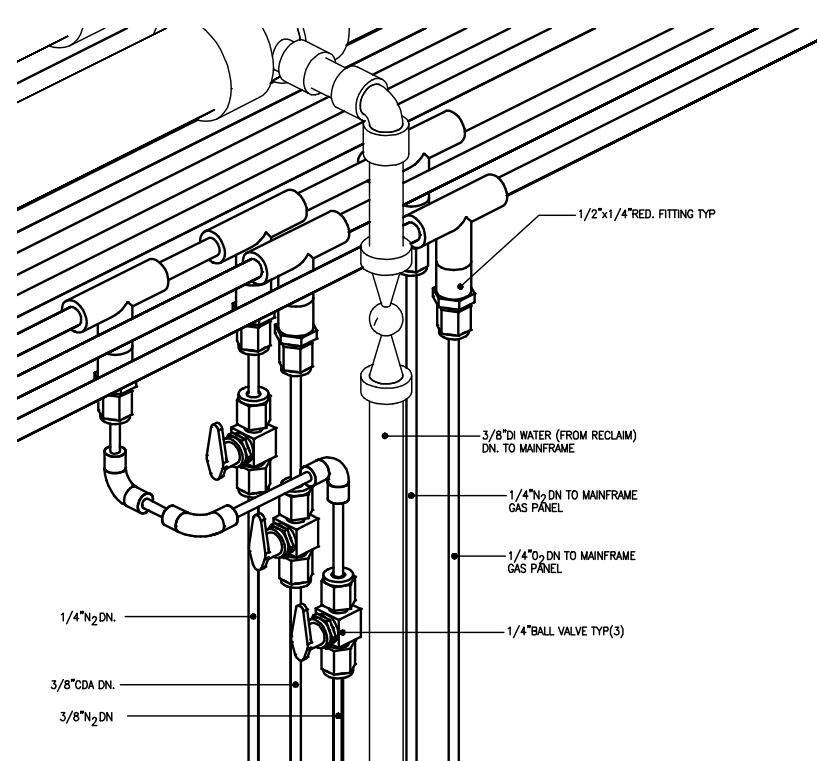
PROJECT NUMBER:	
MDS JOB No:	X
PROJECT MGR:	X
DRAWN BY:	X
CHECKED BY:	DATE: X
CAD FILE:	HU-002
SCALE:	NONE
DRAWING NUMBER:	REVISION:

HU-002 A

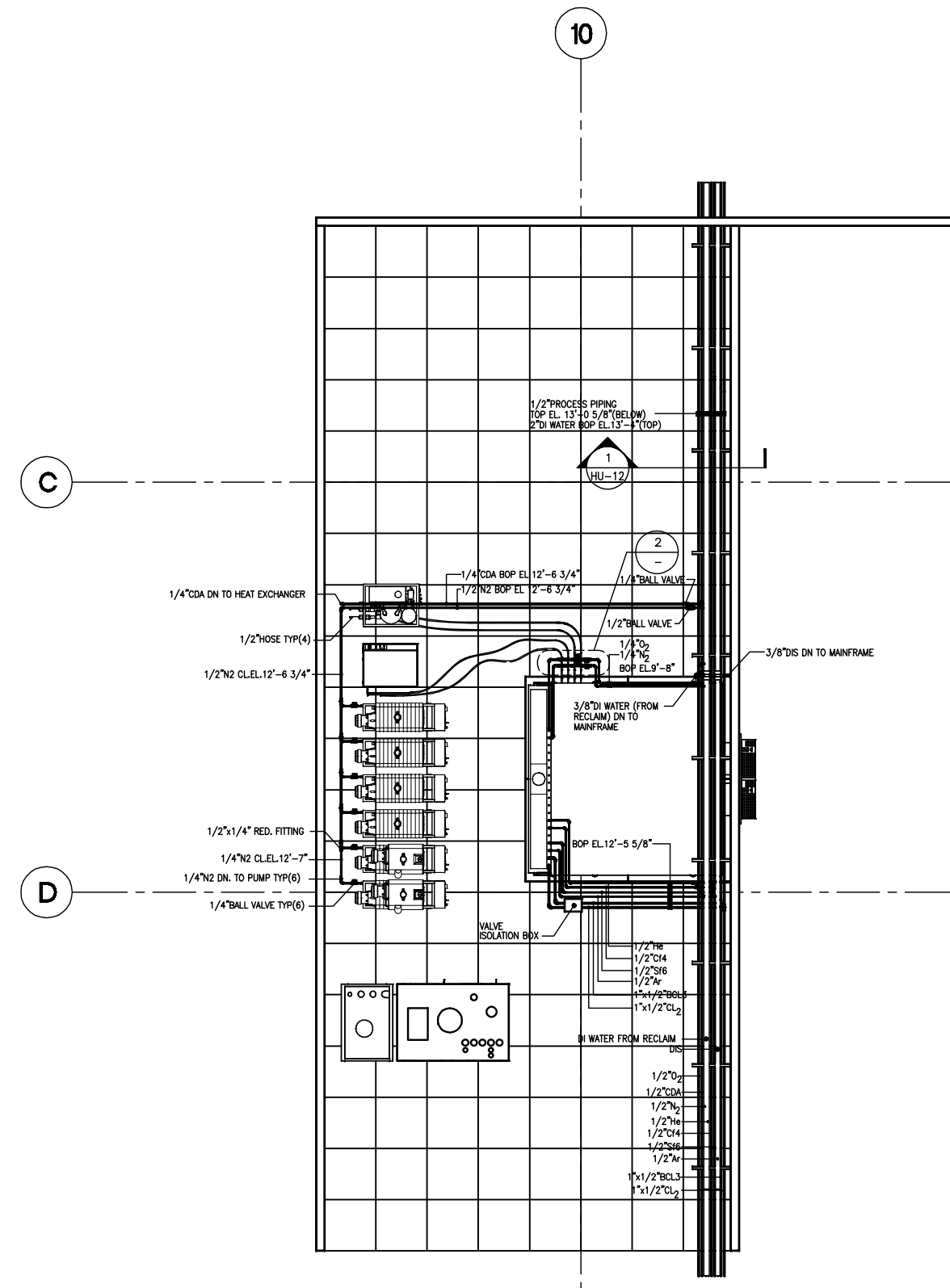
TOOL HOOK-UP



2 PROCESS PIPING ISOMETRIC
 SCALE: NTS



3 PROCESS PIPING ISOMETRIC
 SCALE: NTS



1 PROCESS PIPING PLAN
 SCALE: 3/8" = 1'-0"